

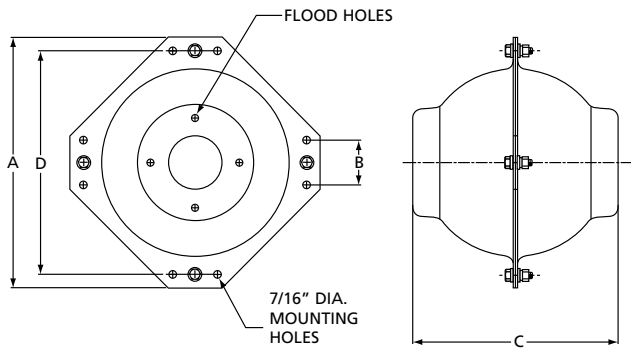
Glass Spheres & Instrument Housings

Dimensions and Weight in Air

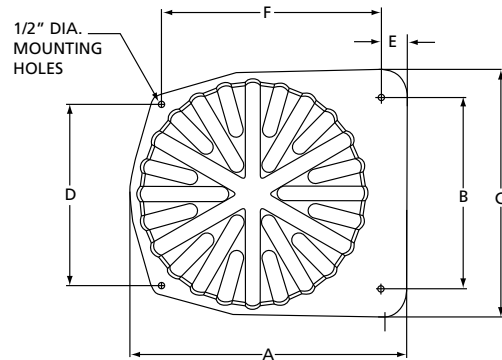
Dimensions shown below	A		B		C		D		E		F		Air Weight	
Model	cm	in	cm	in	cm	in	cm	in	cm	in	cm	in	kg	lbs
204H-10	35.6	14.0	6.4	2.5	29.2	11.5	31.8	12.5					0.74	1.62
204H-17	55.9	22.0	12.7	5.0	48.3	19.0	49.5	19.5					2.95	6.50
204HR-17	54.6	21.5	38.1	15.0	49.5	19.5	35.8	14.1	5.1	2.0	43.2	17.0	3.29	7.25
204-SRO-13	48.3	19.0	12.7	5.0	40.6	16.0	43.2	17.0					2.50	5.50
204-SRO-17	61.0	24.0	12.7	5.0	53.3	21.0	55.9	22.0					3.63	8.00
204-SRM-17	55.9	22.0	38.1	15.0	51.8	20.4	35.0	13.7	3.8	1.5	43.7	17.2	3.74	8.25

(neutrally buoyant in water)

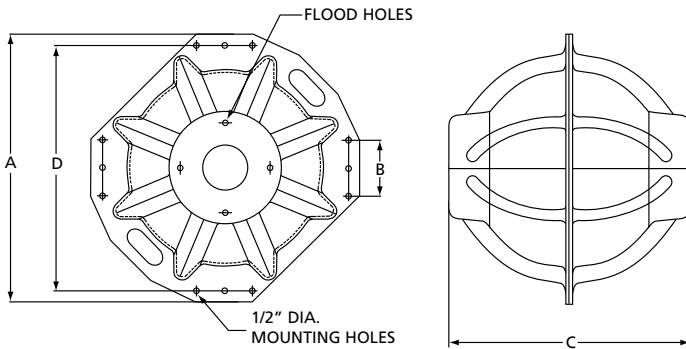
204H-10 and 17 Standard Hard Hat



204HR-17 Ribbed Hard Hat



204-SRO-13 and 17 Super Ribbed Octagonal Hard Hat



204-SRM-17 Super Ribbed Mooring Hard Hat

